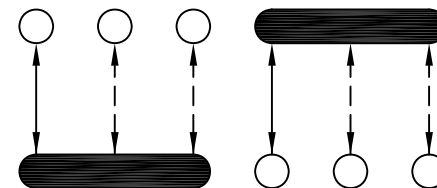
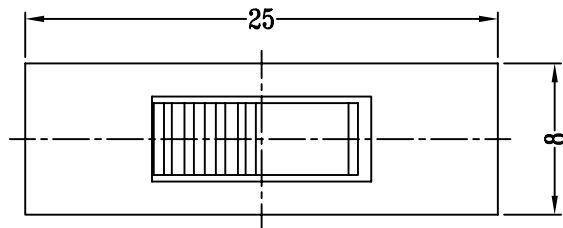
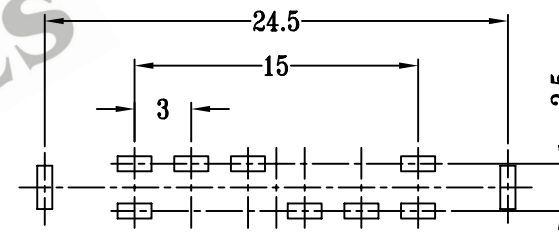
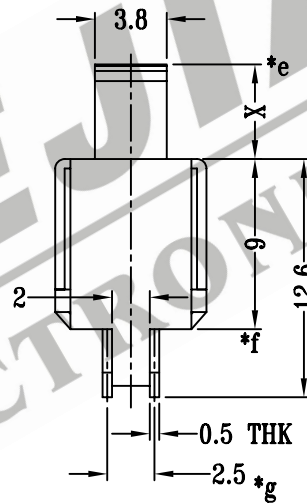
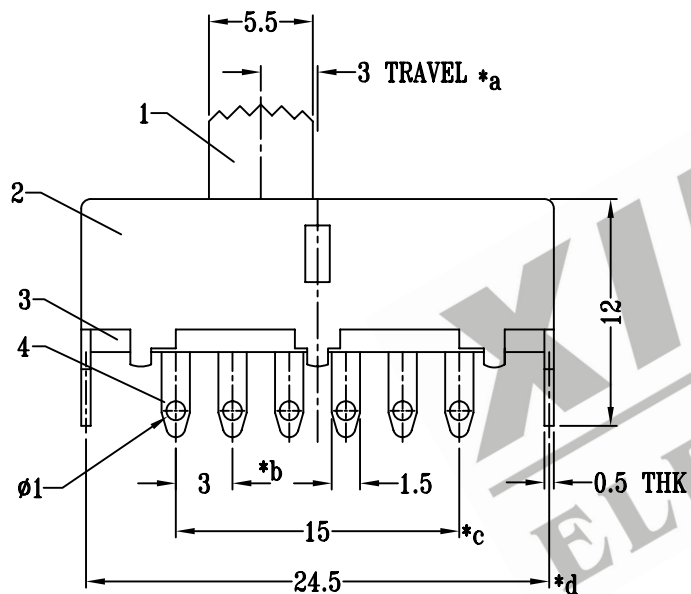


CAD FILE:



SCHEMATIC (SHORTING)



P.C.B LAYOUT

注：“*”表示关键尺寸（7个）

8					TOLERANCE UNLESS SPECIFIED	SHENZHEN XIEJIA ELECTRONICS CO.,LTD.				
7	STEEL BALL	STEEL	2	NATURAL	WITHIN: 1.5±0.1mm OVER : 1.5±0.2mm	ISSUE	DATE	DESCRIPTIONS OF REVISION		APPD.
6	SPRING	STEEL WIRE	3	TEMPER						
5	CONTACT	BRASS STRIP	2	Ag PLATED	TITLE : VERTICAL SLIDE SWITCH MODEL: SS-23F08 ALL MATERIALS MUST BE COMPLIANT TO ROHS	UNIT : mm SCALE: 5:2	DRWG NO.: XJ-DR-SS23F08-00			
4	TERMINAL	BRASS STRIP	8	Ag PLATED OVER Ni PLATED			DWN.	ZHOUYU		2002-10-22
3	BASE	PHENOLIC RESIN	1	BLACK			CHK'D	FANGYING		2002-10-22
2	FRAME	STEEL STRIP	1	Ni PLATED			APPD.	KANGXINAN		2002-10-22
1	KNOB	POM	1	BLACK						
NO.	PARTS	MATERIALS	Q'TY	FINISH						